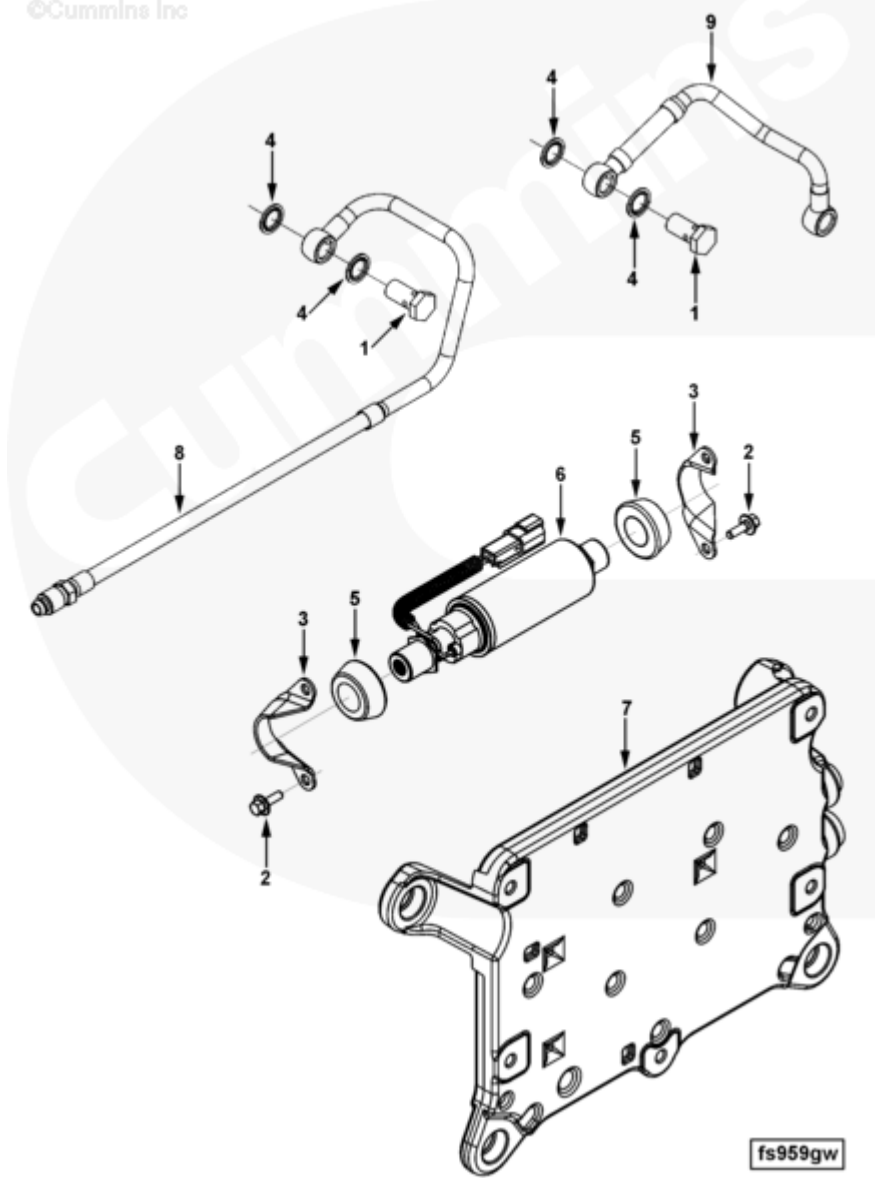




Parts Catalog - Option Detail

Electronic Parts Catalog - Option Detail				
Option	Group	Graphic	Film Card	Date
FS9911-02	06.05	fs959gw	Z	22-OCT-07
Engines	6C8.3, C GAS PLUS CM556, G8.3, G8.3 CM558, GTA8.3 CM558, ISC CM2150, ISC CM554, ISC CM850, ISC8.3 CM2250, ISC8.3 G CM2180 C101, ISL CM2150, ISL CM554, ISL CM850, ISL G CM2180, ISL8.9 CM2150 L110, ISL8.9 CM2880 L112, ISL9 CM2150 SN, ISL9 CM2250, ISL9 CM2350 L101, ISL9 CM2350 L111, ISLE4 CM850, L GAS PLUS CM556, L8.9, L8.9 L121, L8.9G CMOH2.0 L125B, L9 CM2350 L116B, L9 CM2350 L119B, L9 CM2350 L120C, L9 CM2350 L123B, L9.3 L105, L9.5 L117, L9N CM2380 L124B, QSC8.3 CM2250, QSC8.3 CM2880 C102, QSC8.3 CM554, QSC8.3 CM850(CM2850), QSL9 CM2250, QSL9 CM2250 L115, QSL9 CM2350 L102, QSL9 CM2350 L107, QSL9 CM2350 L118, QSL9 CM2350 L122, QSL9 CM554, QSL9 CM850(CM2850), QSL9 G CM558, QSL9 M CM2250 L106, QSL9.3 CM2880 L113			



fs959gw

Cart	Ref No	Part Number	Part Description	Required	Remarks
View My Cart					
		FS9911-02	Fuel Transfer Pump		MR - PUMP, FUEL TRANSFER...(More)
					Engine Cylinders: 6
					Engine Family: C Series
					Fuel Transfer Pump Voltage:
					12
					Unique Characteristics: For
					Use When the Fuel Lines
					Bypass the ECM Cooler
		4938766	Fuel Transfer Pump	1	
<input type="checkbox"/>	1	4937761	Banjo Connector Screw	2	M12 x 1.50 x 24
<input type="checkbox"/>	2	3913638	Hexagon Flange Head Cap Screw	4	M6 X 1.00 X 16.
<input type="checkbox"/>	3	3955110	Transfer Pump Bracket	2	
<input type="checkbox"/>	4	3963990	Sealing Washer	4	M12.
<input type="checkbox"/>		3968188	Fuel Transfer Pump	1	12V Lift Pump
<input type="checkbox"/>	5	3955114	Vibration Isolator	1	
<input type="checkbox"/>	6	3968187	Fuel Transfer Pump	1	Sold In Higher Level Assy/Kit
<input type="checkbox"/>	7	3970204	Cooler Plate	1	
<input type="checkbox"/>	8	4935138	Fuel Supply Tube	1	
<input type="checkbox"/>	9	4935139	Fuel Supply Tube	1	